

APPLICATION:

JOB NAME:

QUANTITY: ITEM NO.

PRODUCT NAME:
8" C/C DECK MOUNT CONTROL VALVE
SWIVEL OUTLET

SPECIAL CONFIGURATION
CHECK BASE MODEL AND OPTIONS

MODEL:
■ 3300

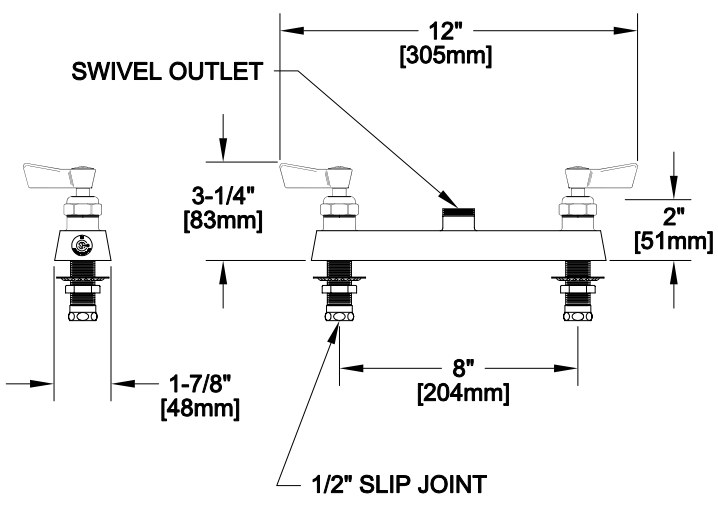
OPTIONS OR MODIFICATIONS:
 OTHER _____

FEATURES

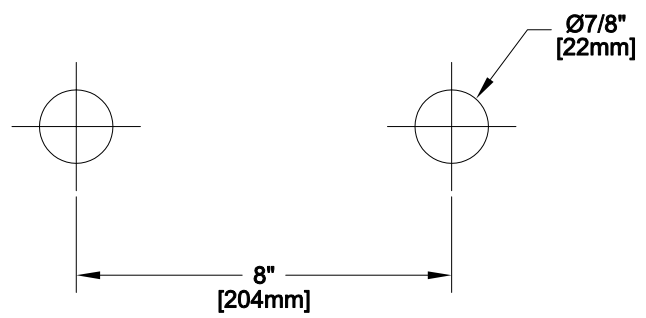
- CONTROL VALVE
- * 8" DECK MOUNT
 - * SWIVELLING SEAT DISKS
 - * HOT SIDE STEM - RIGHT HAND
 - * COLD SIDE STEM - LEFT HAND
 - * STAINLESS STEEL SEATS
 - * STAINLESS STEEL SEAT SCREWS
 - * STAINLESS STEEL HANDLE SCREWS

- SYSTEM LIMITS
- * TEMP: 40°F MIN. TO 140°F MAX.
 - * PRESSURE: 200 PSI MAX. STATIC

- SHIPPING WEIGHT
- * 3.75 LBS



ROUGH-IN:



FISHER
FISHER MANUFACTURING COMPANY
TOLL FREE: 800-421-6162 - FAX: 800-832-8238
information@fisher-mfg.com - www.fisher-mfg.com